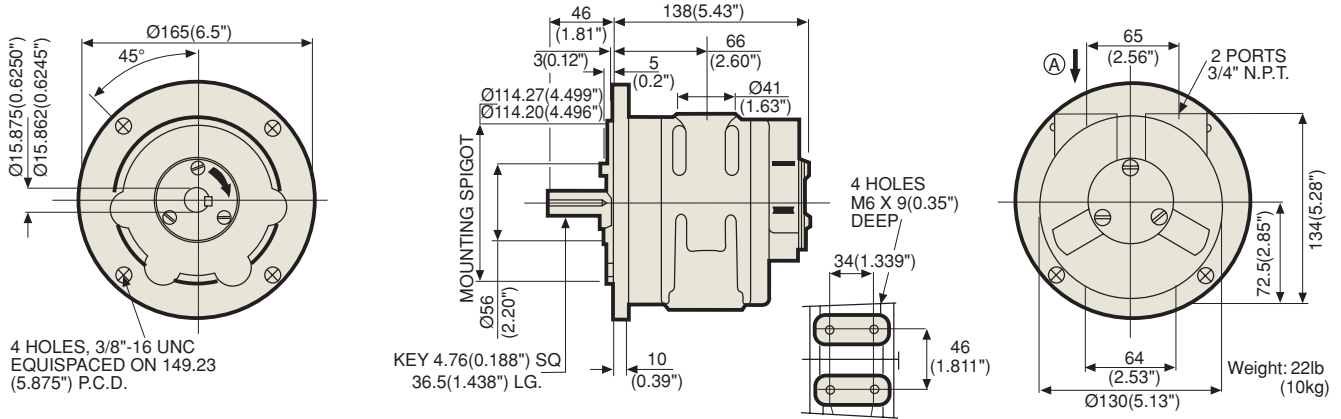
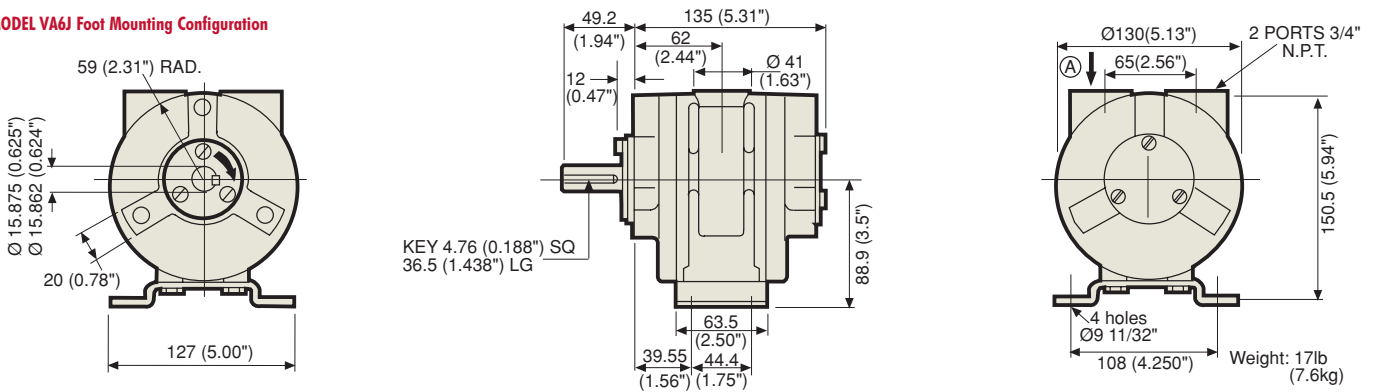


# DIMENSIONS V6

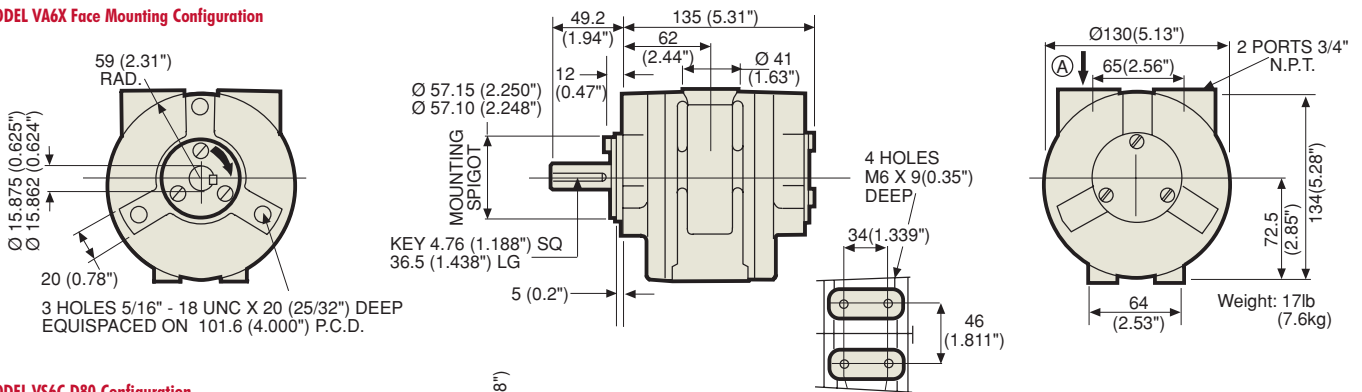
## MODEL VA6C Nema 56C Configuration



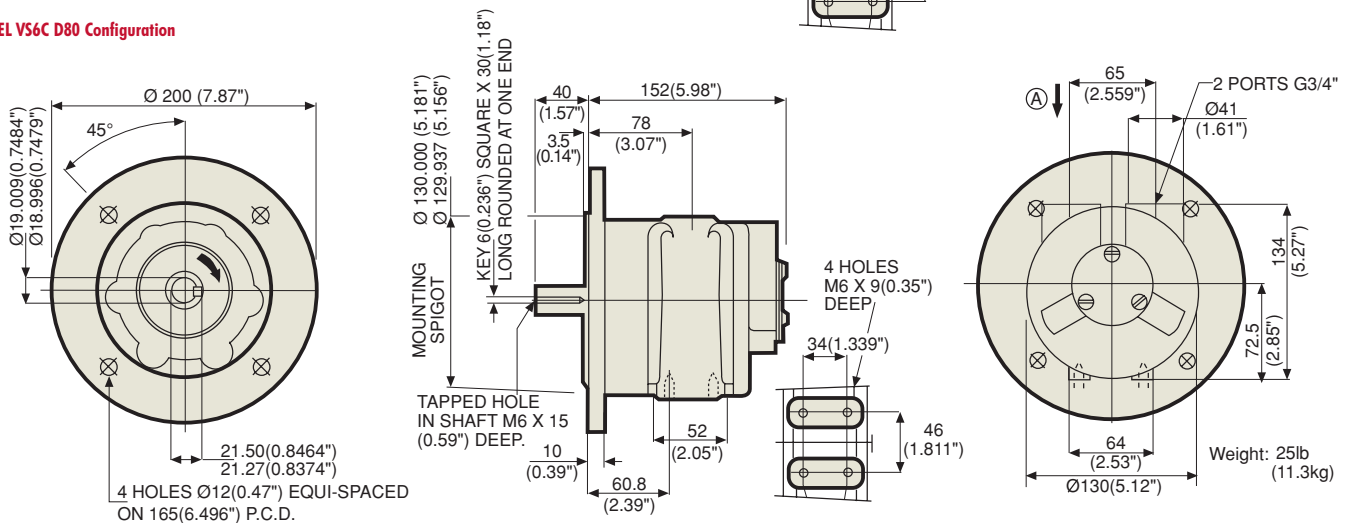
## MODEL VA6J Foot Mounting Configuration



## MODEL VA6X Face Mounting Configuration

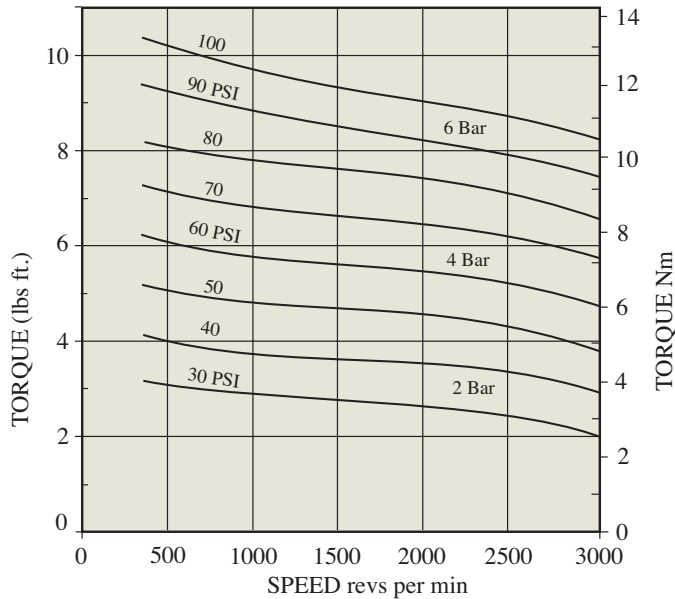


## MODEL VS6C D80 Configuration

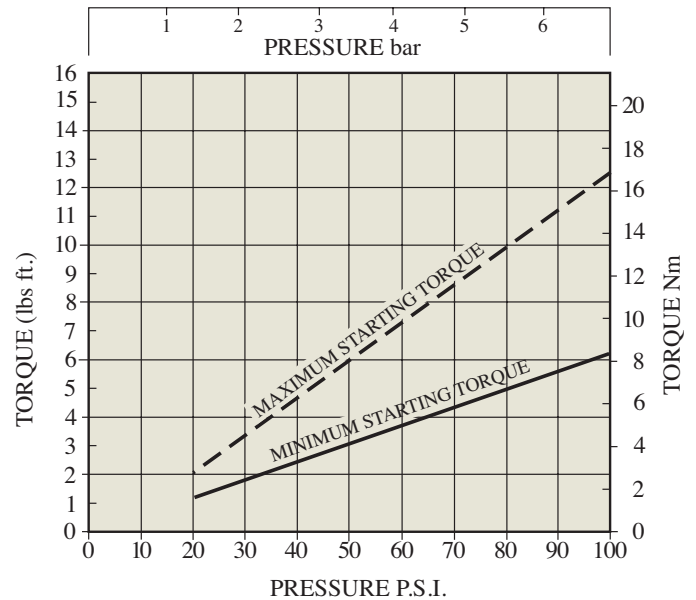


# PERFORMANCE V6 4.6 PEAK HP/3.4 kW REVERSIBLE

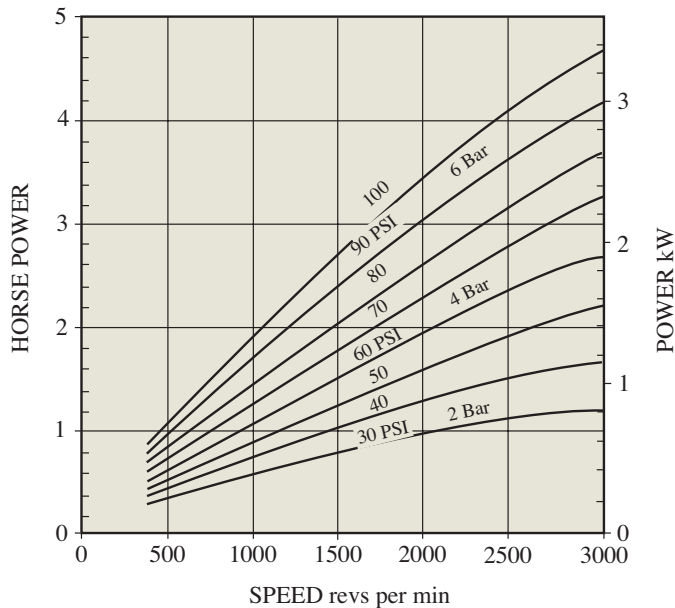
**GRAPH 1 TORQUE - SPEED**



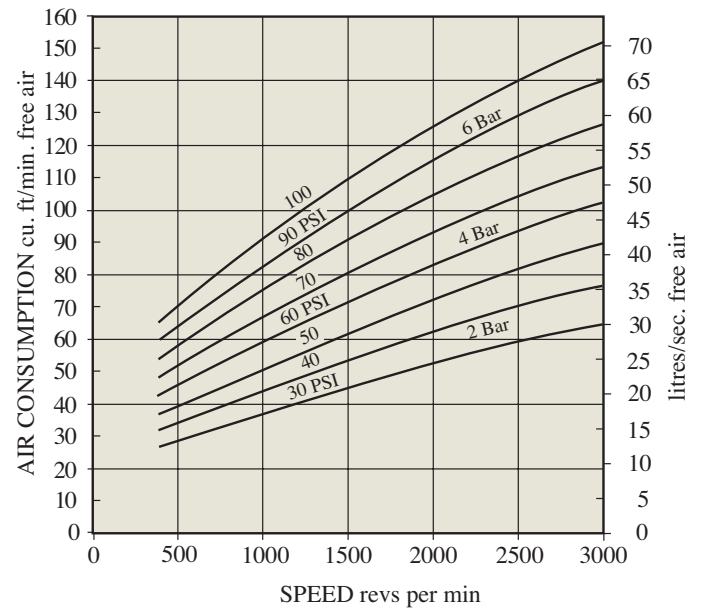
**GRAPH 2 STARTING TORQUE - PRESSURE**



**GRAPH 3 POWER - SPEED**



**GRAPH 4 CONSUMPTION - SPEED**



**Attitude:**

The motor can be operated in all positions.

**Airline filtration and lubrication:**

Use 64 micron filtration or better. Choose a lubricator suitable for the flow required. Prior to start up, inject oil into the inlet port.

**Lubricator drop rate:**

5-6 drops per minute continuous operation.  
10-12 drops per minute intermittent operation.

**Polar Moment of Inertia:**

1.56 lb.ins<sup>2</sup> (0.45 g.m<sup>2</sup>).

**Maximum overhung force on shaft:**

70 lbf (300N) In certain circumstances this may be extended. Consult your Globe Distributor. Axial loads should be kept down to a minimum.

**Maximum temperatures:**

-4° to +176° Farenheit. (-20° to +80°C)