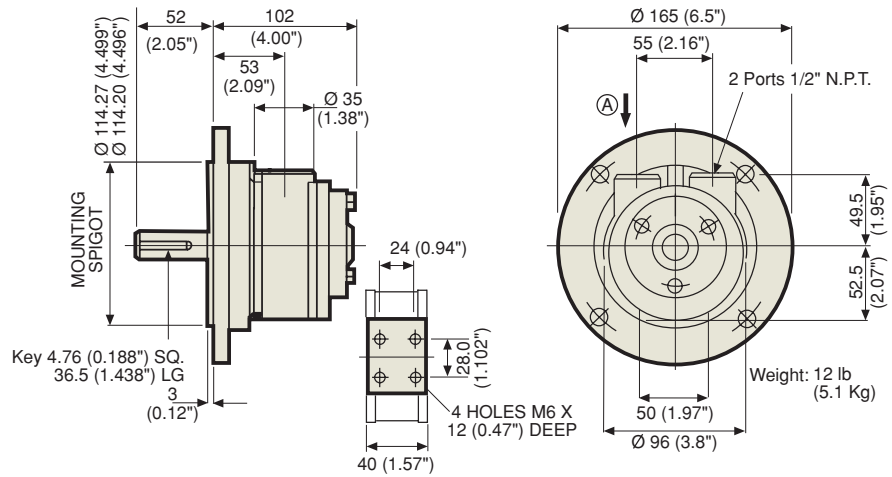
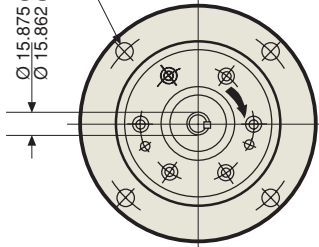


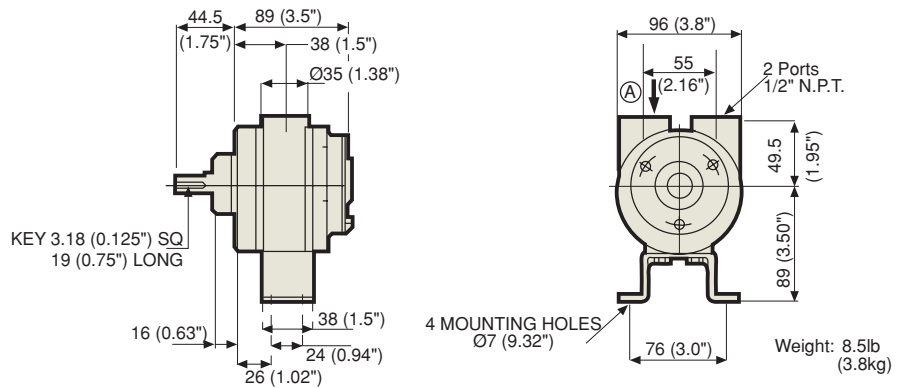
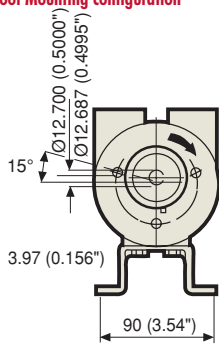
DIMENSIONS V4

MODEL VA4C Nema 56C configuration

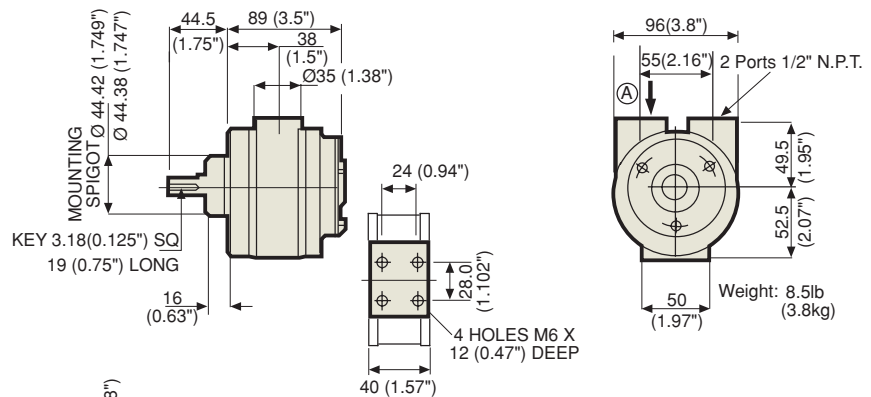
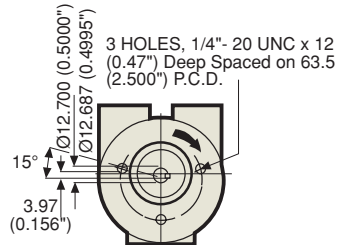
4 Holes - 3/8" - 16-UNC
Equi-spaced on
149.23 (5.875") P.C.D.



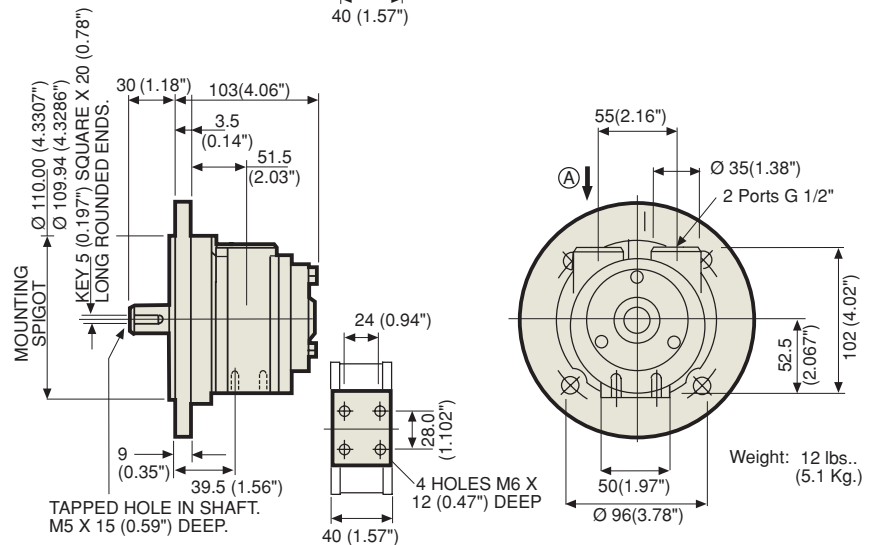
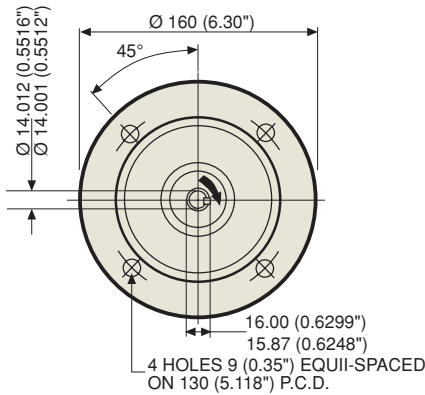
MODEL VA4J Foot Mounting configuration



MODEL VA4X Face Mounting configuration

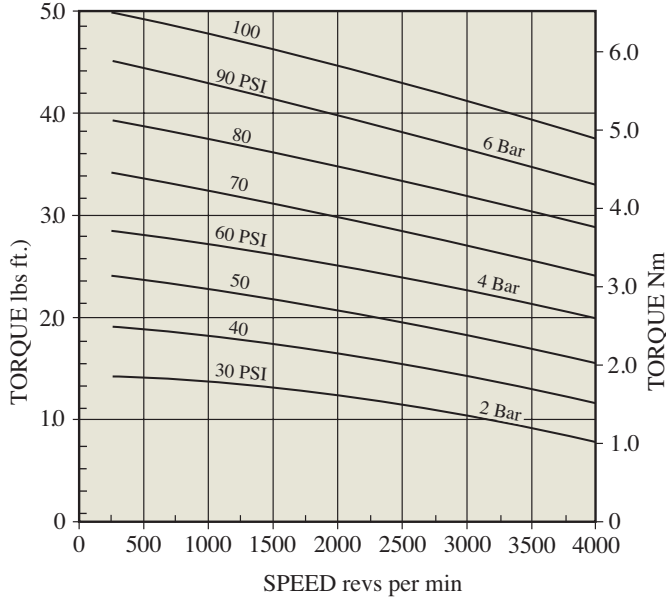


MODEL VS4C D71 configuration

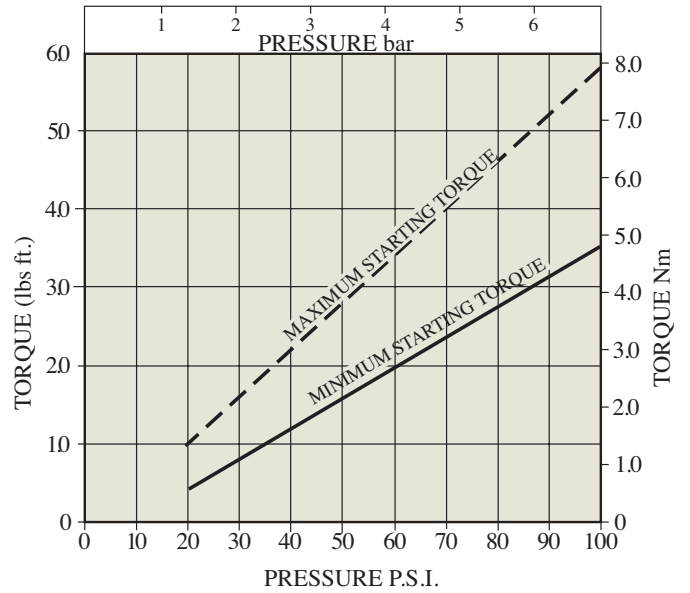


PERFORMANCE V4 2.8 HP/2.1 kW REVERSIBLE

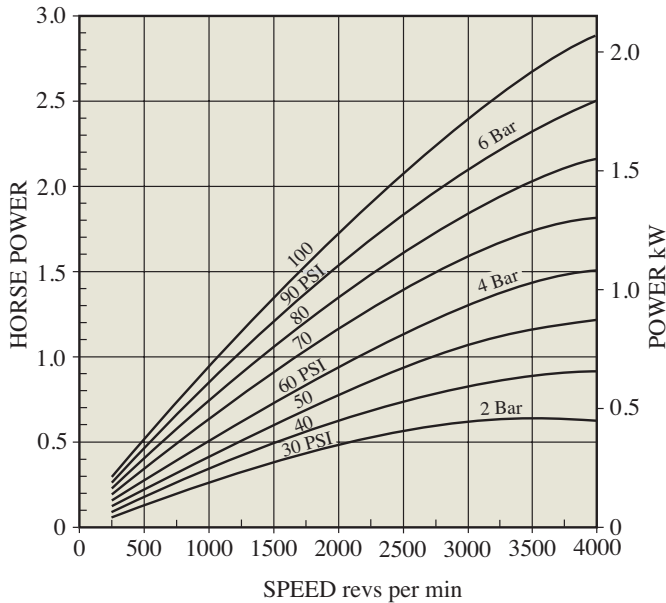
GRAPH 1 TORQUE - SPEED



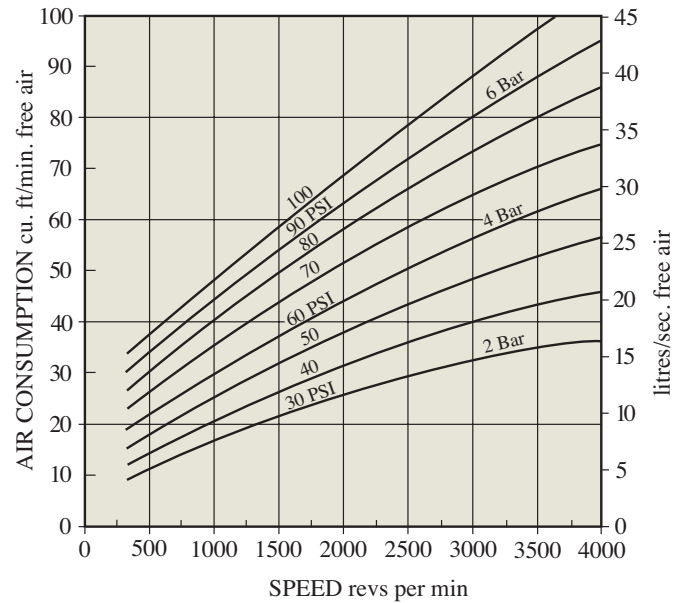
GRAPH 2 STARTING TORQUE - PRESSURE



GRAPH 3 POWER - SPEED



GRAPH 4 CONSUMPTION - SPEED



Attitude:

The motor can be operated in all positions.

Airline filtration and lubrication:

Use 64 micron filtration or better. Choose a lubricator suitable for the flow required. Prior to start up, inject oil into the inlet port.

Lubricator drop rate:

4-5 drops per minute continuous operation.
9-12 drops per minute intermittent operation.

Polar Moment of Inertia:

0.77 lb.ins² (0.226 g.m²).

Maximum overhung force on shaft:

40 lbf (170N) In certain circumstances this may be extended. Consult your Globe Distributor. Axial loads should be kept down to a minimum.

Maximum temperatures:

-4° to +176° Fahrenheit. (-20° to +80°C)