



GLOBE AIRMOTORS B.V.

GLOBE Stainless steel GFRL units



2 part unit



3 part unit

Features:

- For high pressure use, corrosion and chemical resistance
- For removal of water and particles in the air
- Accurate and sensitive pressure setting
- Lubricator can be replenished without stopping air supply
- Oil spray in mist ensures good lubrication for machines

All units are available with both NPT and BSP ports.

2 Part GFRL unit

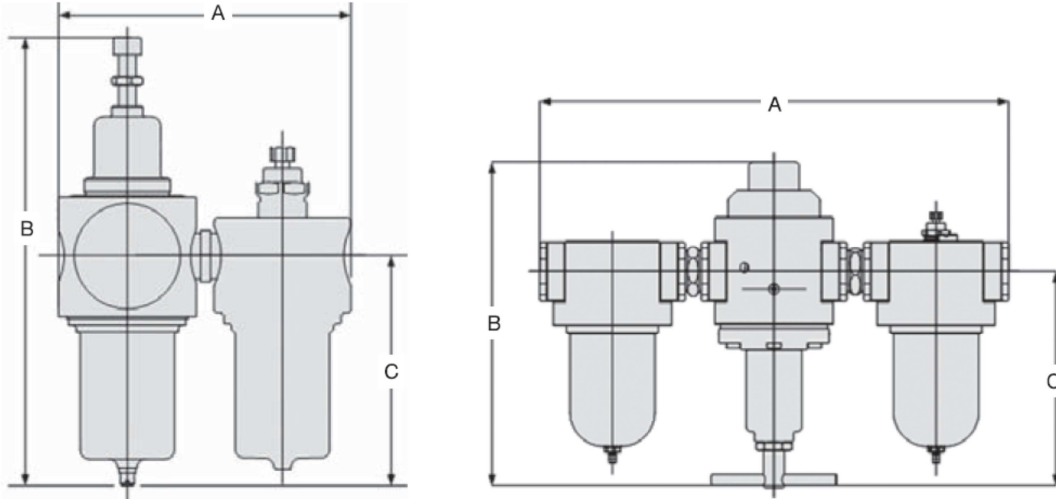
Dimensions

Type	A (mm)	B (mm)	C (mm)
GLOBE GFRL INOX316 G 1/8"	90	150	80
GLOBE GFRL INOX316 G 1/4"	138	240	125
GLOBE GFRL INOX316 G 3/8"	138	240	125
GLOBE GFRL INOX316 G 1/2"	168	250	130
GLOBE GFRL INOX316 G 3/4"	188	307	165
GLOBE GFRL INOX316 G 1"	188	307	165

3 Part GFRL unit

Dimensions

Type	A (mm)	B (mm)	C (mm)
GLOBE GFRL INOX316 G 1/4"	212	167	129
GLOBE GFRL INOX316 G 1/2"	257	171	136
GLOBE GFRL INOX316 G 3/4"	324	283	217
GLOBE GFRL INOX316 G 1"	324	283	217
GLOBE GFRL INOX316 G 1 1/2"	539	385	257
GLOBE GFRL INOX316 G 2"	539	385	257



Dimensions